

Northwest Quilters Block of the Month... A Color Wheel Tour 2011-2012 July 2012

All blocks will be 12 ½" unfinished..... 12" finished

Note: Instructions for 1 block. If you are making one for the block lotto and one for yourself, you will need to double the cutting instructions.



We are doing an accented neutral harmony in Browns, creams and blue this month.




Background will be a light beige or cream print.

Let's do a Clay's Choice block!









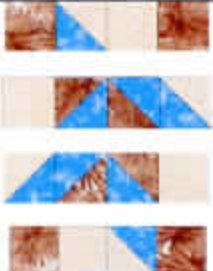

An accented neutral harmony is a combination of neutrals, (blacks, whites, grays, browns, tans, creams, etc.) with a splash of color added. This month we will use browns, creams and blue. Background will be a light beige or cream print. Use tone on tone prints, solids, batiks, if it reads like one of these colors.... Give it a chance.

Remember to vary your values and textures.... The center of this block can look muddy if there is not enough value contrast between your brown and blue.

| Cut Fabric | Color | Cut | Cut |
|---|--------------------|------------------------------|--------------------------|
|  | Cream background | Cut 4 3 ½" x 3 ½" squares | Cut 2 4" x 4" squares |
|  | blue | Cut 4 4" x 4" squares | |
|  | Tan or Light Brown | Cut 4 3 ½" x 3 ½" squares | Cut 2 4" x 4" squares |

Sewing: Use a scant ¼" seam allowance.

| | | |
|---|--|---|
|  | Using 1 blue 4" square and 1 brown 4" square, place right sides together. Draw a line from one corner to the other on the lighter fabric's backside. |  |
|  | Stitch ¼" away from the drawn line on both sides. Cut on the drawn line... and press towards the brown triangles. Trim to 3 ½" square. Repeat... |  |

| | | |
|---|--|---|
|  | <p>Using the remaining blue 4" squares and the cream 4" squares, repeat the process above to make a total of 4 half square triangles. Press towards the blue. Square to 3 1/2"</p> |  <p>make 4</p> |
|  | <p>Now it's time to lay your units out like the block on the left.... <i>Double check the direction of the half square triangles before stitching.</i> And stitch together in rows. Press seams, alternating direction from row to row. Then stitch rows together. Press. Square to 12 1/2".</p> |  |

Remember to make one for the block lotto and one for yourself! Have fun! See you at the meeting!

Denise Gies
Block of the Month Chair